

Clean Quiet Solutions

Effortless, quiet and oh so efficient, Parmco's range of dishwashers deliver results with minimal fuss. With a range of models to suit every kitchen, affording a stylish and reliable cleaning solution has never been simpler.

Count on us to take care of the environment and deliver cleaner results, every time. Life's too short to do dishes.

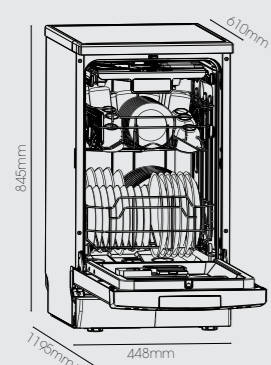


Dishwashers

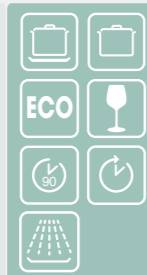


450MM
ECONOMY PLUS
DW45SP / DW45WP

10 Place Settings
450MM

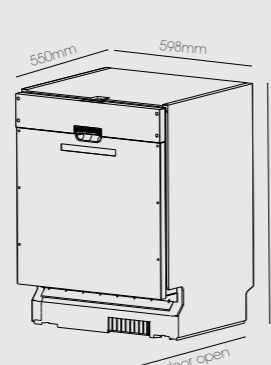


450MM
ECONOMY PLUS
DW45SP / DW45WP



600MM
INTEGRATED
DW6INT

14 Place Settings
600MM



600MM
INTEGRATED
DW6INT



NB: Control panel shown is inside on top of door.



Dry Plus Function

When the function is selected, the water temperature during the final rinse stage is increased to 66° C to improve the drying process.

	DW45SP / DW45WP	DW6INT
PROGRAMMES:	***** **	***** **
WATER RATING:	3.5 star (11L)	4.5 star (12L)
ENERGY RATING:	3.5 star (189kWh)	3.5 star (259kWh)
NOISE:	49dB	49dB
FLOOD PROTECTION:	✓	✓
HALF LOAD OPTION:		
DUAL ZONE WASH:		✓
CHILD LOCK:	✓	
TIMER DELAY:	✓	✓
DIGITAL CONTROLS:	✓	✓
ADJUSTABLE TOP BASKET:	✓	✓
THIRD LAYER CUTLERY TRAY:	✓	
DRY PLUS FUNCTION:		✓


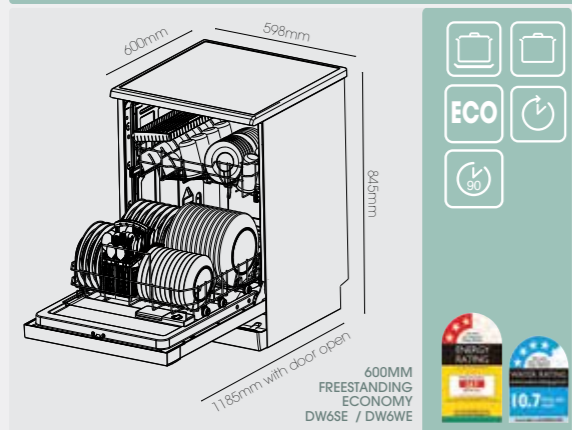
Dishwashers

Dishwashers




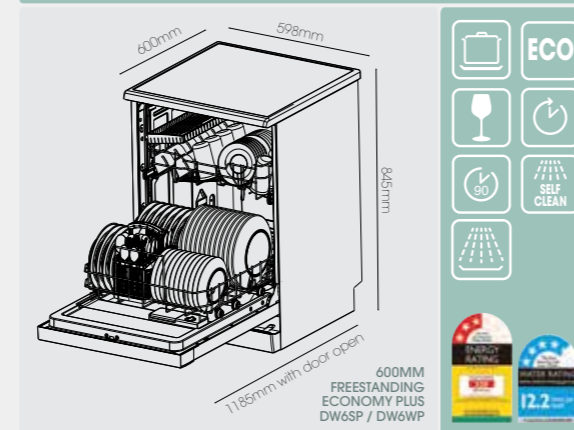
FREESTANDING ECONOMY DW6SE / DW6WE

12 Place Settings
600MM


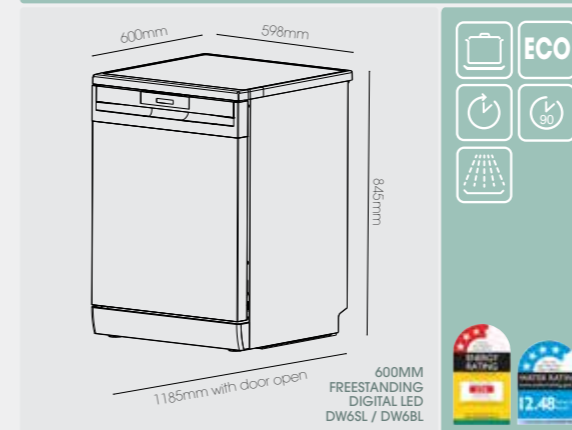
FREESTANDING ECONOMY PLUS DW6SP / DW6WP

14 Place Settings
600MM

FREESTANDING DIGITAL LED DW6SL / DW6BL

15 Place Settings
600MM

NB: Images may vary slightly from actual product. Images are displayed for measurement purposes only.

NB: Images may vary slightly from actual product. Images are displayed for measurement purposes only.

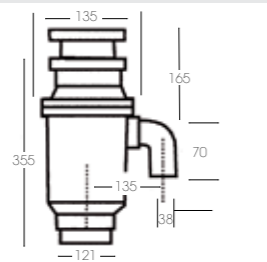
	DW6SE / DW6WE	DW6SP / DW6WP
PROGRAMMES:	*****	***** **
WATER RATING:	4.5 star (10.7L)	4.5 star (12.2L)
ENERGY RATING:	3 star (267kWh)	3 star (320kWh)
NOISE:	52dB	52dB
FLOOD PROTECTION:	✓	✓
HALF LOAD OPTION:	✓	✓
CHILD LOCK:	✓	✓
TIMER DELAY:	✓	✓
DIGITAL CONTROLS:		✓
ADJUSTABLE TOP BASKET:		✓
THIRD LAYER CUTLERY TRAY		✓
DRY PLUS FUNCTION:		✓

	DW6SL / DW6BL
PROGRAMMES:	*****
WATER RATING:	4.5 star (12.48L)
ENERGY RATING:	3.5 star (276kWh)
NOISE:	49dB
FLOOD PROTECTION:	✓
HALF LOAD OPTION:	✓
CHILD LOCK:	
TIMER DELAY:	
DIGITAL CONTROLS:	✓
ADJUSTABLE TOP BASKET:	✓
THIRD LAYER CUTLERY TRAY	✓
DRY PLUS FUNCTION:	✓

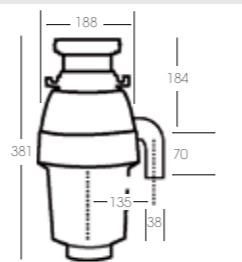
Waste Disposers



STANDARD WASTE DISPOSAL GD-2
1/2 Horse Power



MID DUTY WASTE DISPOSAL GD-3
1/2 Horse Power - mid duty



Accessories



GD-AIRSWITCH

The GD-Airswitch is the safe way to operate your waste disposal, even with wet hands. Unlike an electrical switch, the air switch can be installed right next to your taps or around the wet area of your sink.

TUNGSTEN CARBIDE HAMMERS:

ENERGY EFFICIENT MAGNET MOTOR:

ODOUR REDUCING ANTI-MICROBIAL BIOCIDES:

SIMPLE INSTALLATION:

SPEEDMASTER MOUNTING SYSTEM:

DISPOSES OF CORN COBS,
COOKED FISH BONES, ONION SKINS:

BALANCED SOUND SHELL FOR QUIET OPERATION:

AIRSWITCH COMPATIBLE:

GD-2



GD-3



Reduced waste in landfills and recycling of waste is easy with the Parmco range of waste disposers and bins. Powerful, quiet and sturdy disposers will tackle food scrap items that others cannot.